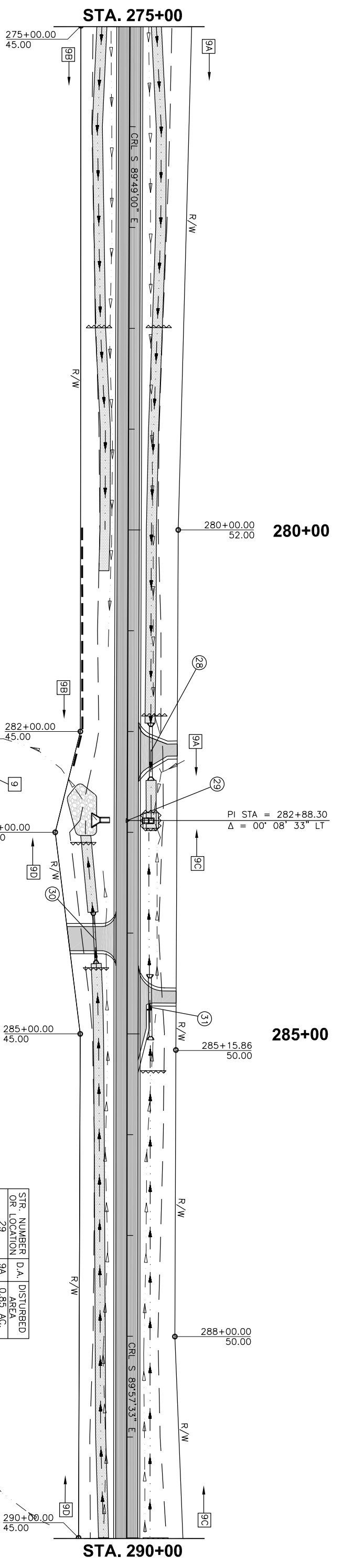
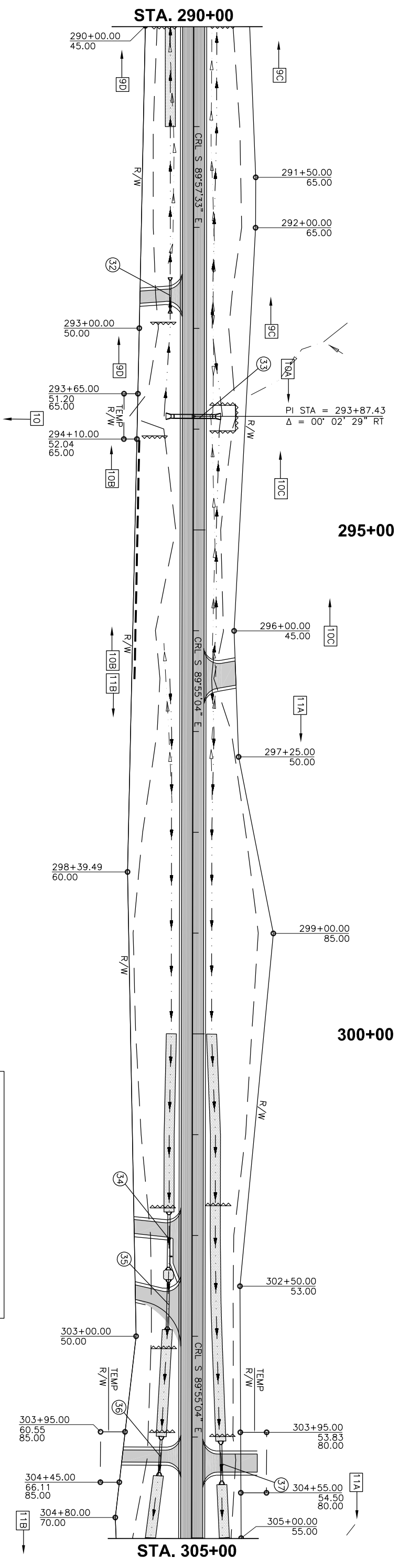


FED. ROAD DIST. NO.	PROJECT NO.	SHEET NO.	TOTAL SHEETS
6		130	130



STR. NUMBER OR LOCATION	D.A.	DISTURBED AREA
29	9A	0.85 AC.
29	9B	0.80 AC.
29	9C	0.86 AC.
29	9D	0.97 AC.
TOTAL	9	3.48 AC.



STR. NUMBER OR LOCATION	D.A.	DISTURBED AREA
33	10A	0.08 AC.
33	10B	0.17 AC.
33	10C	0.18 AC.
TOTAL	10	0.43 AC.

**LEGEND**

- TEMPORARY SILT FENCE
- TEMPORARY SILT DIKE
- SOLID SLAB SOD DITCH
- NYLON MAT
- RIPRAP

**QUANTITIES**  
SEE SUMMARY OF EROSION CONTROL QUANTITIES, SHEET NUMBER AX03

OSWALT ROAD  
**EROSION CONTROL PLAN**  
SHEET 7 OF 11  
LOVE COUNTY  
JOB PIECE NO. 25447(04) SHEET NO. R008